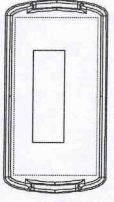


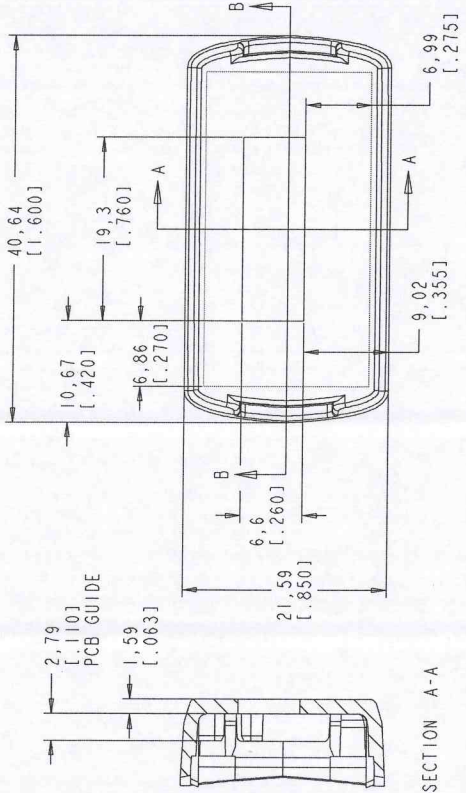
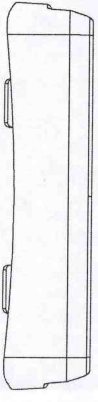
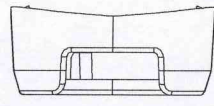
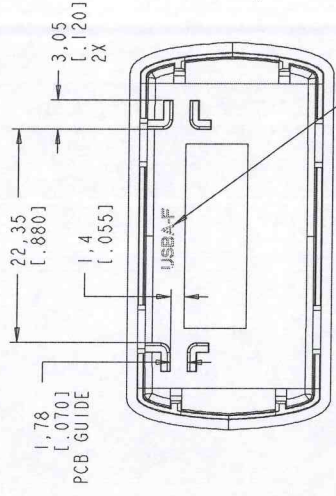
REVISIONS				
LET	ECN	DESCRIPTION	DATE	INT
01		INITIAL RELEASE	04-08-12	Janves
02		ADDED CAVITY ID	05-22-12	JMM



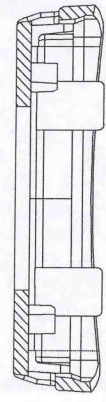
SCALE 1/1

NOTES:

- FOR LIST OF MATERIAL SEE:
PL 115126-501, 115127-501
- UNLESS OTHERWISE SPECIFIED:
CORNERS SHOWN SHARP HAVE
A RADIUS OF .01.
- NO KNOCKOUTS, GATES OR FLASH
ON THE EXTERIOR SURFACES.
- FLASH PERMISSIBLE WITHIN .005 INCH.
- KNOCKOUTS FLUSH TO .005 BELOW SURFACE.
- TEXTURE: EDM #33
- INTERIOR FINISH: SPI C3 OR BETTER
- FOR ALL OTHER DIMENSIONS,
SEE DRAWING: 115119-01



SECTION A-A



SECTION B-B

PACINTEC Subsidiary of Lorraine Corp. One LaFrance way, Concordville, Pa. 19332-5002 U.S.A.		NAME Janves	DATE 04-08-12
DRAWN: Janves	CHECKED: Ted	APPROVE: JMM	DATE 04-08-12
MOLDED TOLERANCE: PRODUCT WILL BE PRODUCED PER SPI-SPE INSTITUTE PRODUCT STANDARDS AND TOLERANCES		MATERIAL: COLOR: SEE PARTS LIST CLASS:	
MACHINED: ANGLES: ±1/2° DECIMALS: .XX ±.02 .XXX ±.010		PROCESS: INJ MOLDED	SCALE: 2:1 SHEET 1 OF 1
PART # 115116-01		DRAWING NUMBER 115116-01	REV 02