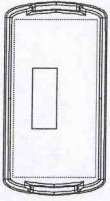


REVISONS

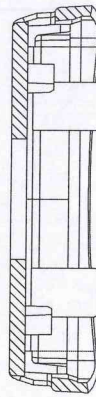
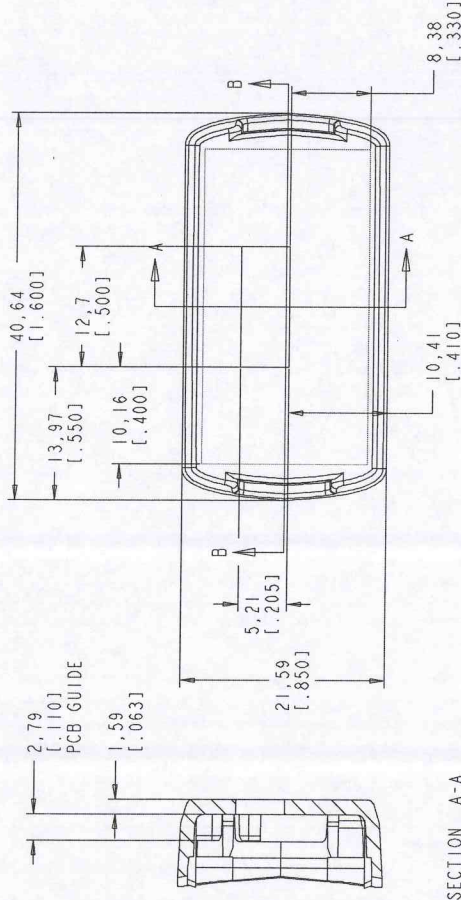
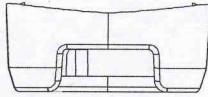
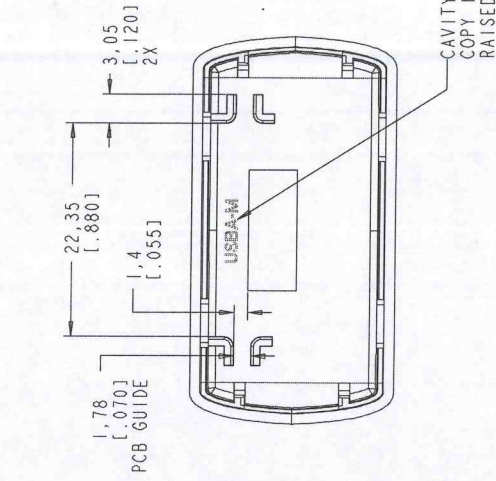
LET	ECN	DESCRIPTION	DATE	INT
01		INITIAL RELEASE	04-08-12	Janves
02		ADDED CAVITY ID	05-22-12	JMM



SCALE 1/1

NOTES:

- FOR LIST OF MATERIAL SEE:
PL 115126-501, 115127-501
- UNLESS OTHERWISE SPECIFIED:
CORNERS SHOWN SHARP HAVE
A RADIUS OF .01.
- NO KNOCKOUTS, GATES OR FLASH
ON THE EXTERIOR SURFACES.
- FLASH PERMISSIBLE WITHIN .005 INCH.
- KNOCKOUTS FLUSH TO .005 BELOW SURFACE.
- TEXTURE: EDM #33
- INTERIOR FINISH: SPI C3 OR BETTER
- FOR ALL OTHER DIMENSIONS,
SEE DRAWING: 115119-01



SECTION B-B

PACINTEC

Subsidiary of LaFrance Corp.

LIBERTY AVENUE, FRODOBOLTER, MA

NAME	DATE
Janves	04-08-12
Ted	04-08-12
JMM	04-23-12

CN-R SERIES
END CAP, USB-A, MALE

PROCESS:	SCALE:	SHEET
INJ MOLDED	2:1	1 OF 1

MATERIAL:	COLOR:	CLASS:
SEE PARTS LIST	SEE PARTS LIST	SEE PARTS LIST

PART #	DRAWING NUMBER	REV
115118-01	115118-01	02