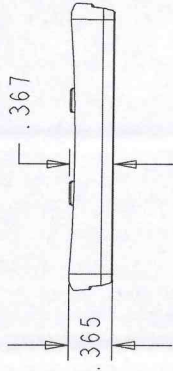
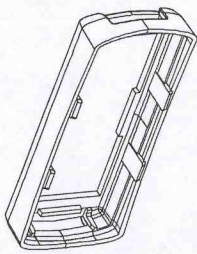
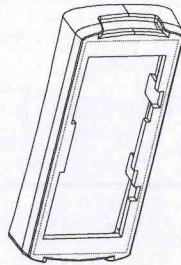


4



3

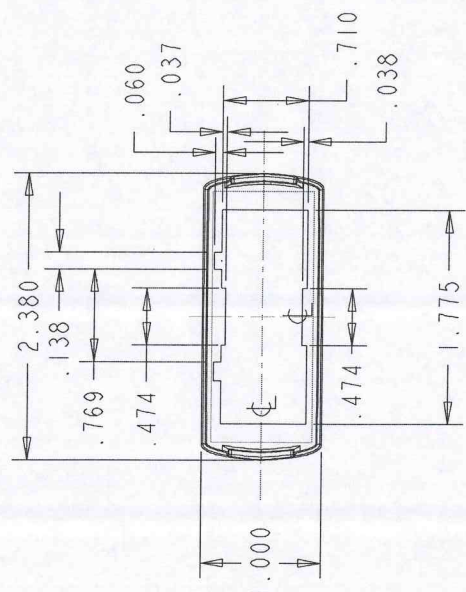


Generated by Foxit PDF Creator © Foxit Software
<http://www.foxitsoftware.com> For evaluation only

1

REVISONS			
LET	ECN	DESCRIPTION	DATE
01			05/04/12
02		ADDED CAVITY ID	05/22/12

B



NOTES:

1. FOR LIST OF MATERIAL SEE:
PL 115128-501, 115129-501
2. UNLESS OTHERWISE SPECIFIED:
CORNERS SHOWN SHARP HAVE
A RADIUS OF .01.
3. NO KNOCKOUTS, GATES OR FLASH
ON THE EXTERIOR SURFACES.
4. FLASH PERMISSIBLE WITHIN .005 INCH.
5. KNOCKOUTS FLUSH TO .005 BELOW SURFACE.
6. TEXTURE: EDM #33
7. INTERIOR FINISH: SPI C3 OR BETTER

02

CAVITY ID:
 COPY 1.25 TALL
 RAISED 0,05 TO 0,1

A



4

3

2

1

PACINTEC
 Subsidiary of LaFrance Corp.

One LaFrance way, Concordville, Pa. 19332-5002 U.S.A.

MOLDED TOLERANCE:		DRAWN BY:	DATE
PRODUCT WILL BE PRODUCED PER SPI INSTITUTE PRODUCT STANDARDS AND TOLERANCES		R. WOLSTENHOLME	05/04/12
CUSTOMER PRODUCT I.D.:			
MATERIAL: ABS		PROCESS:	SCALE: 1/1
COLOR: SEE PARTS LIST		PART #	SHEET 1 OF 1
CLASS: MEDIUM IMPACT		115667-01	DRAWING NUMBER
UL RATING: SEE PARTS LIST		115667	REV 02

STANARD
CN-XR OBD II MALE ENDCAP