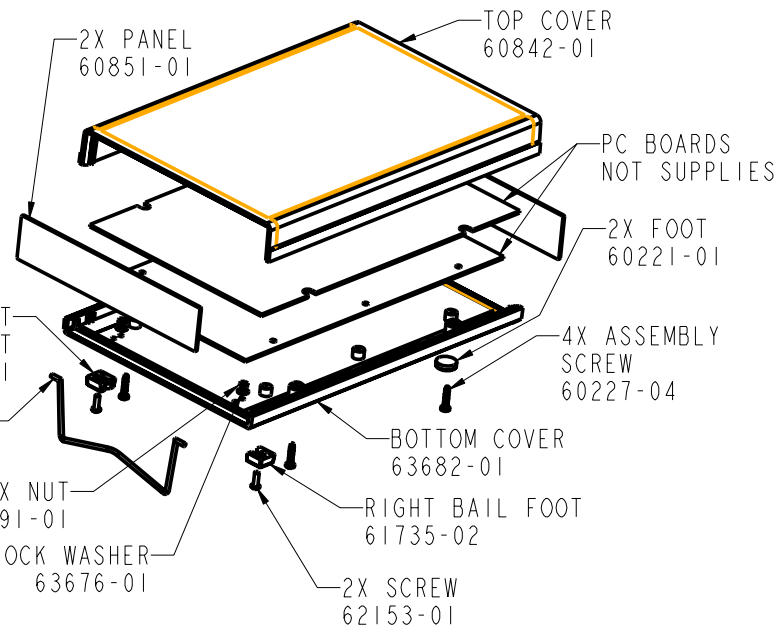
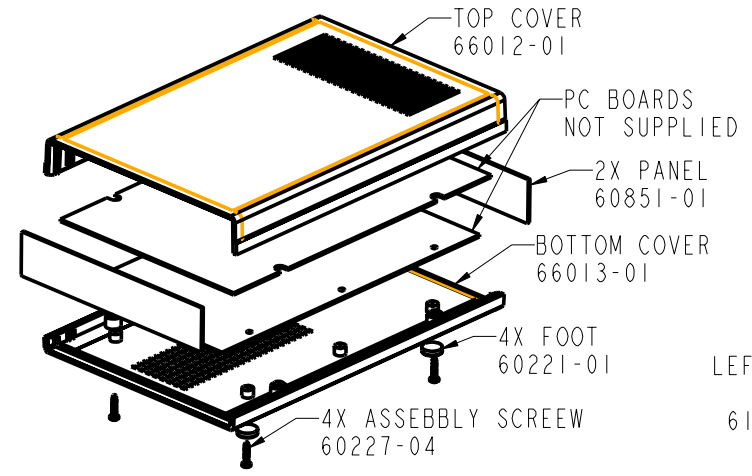


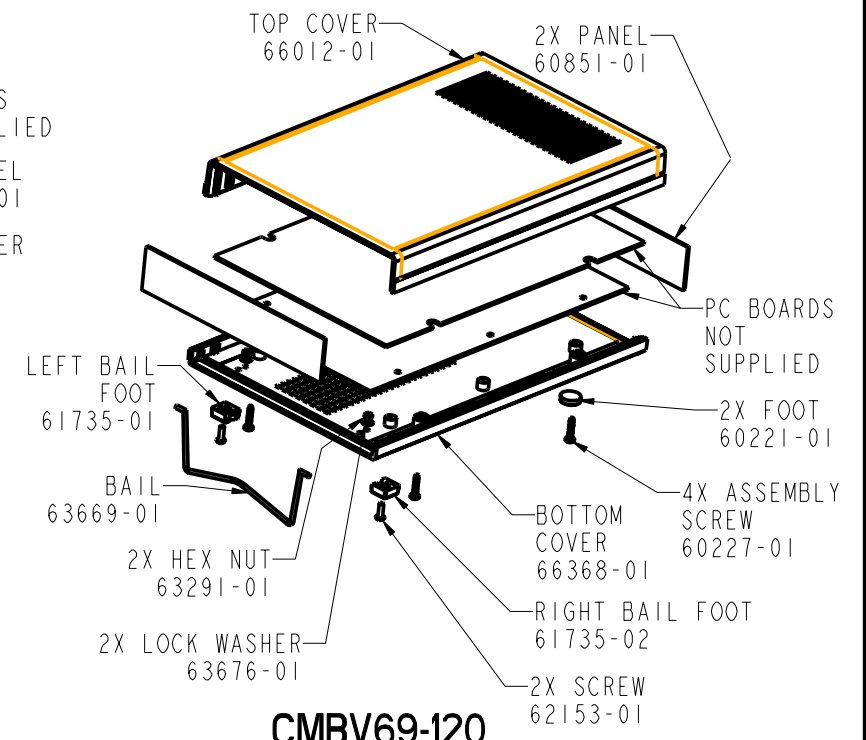
CM69-120



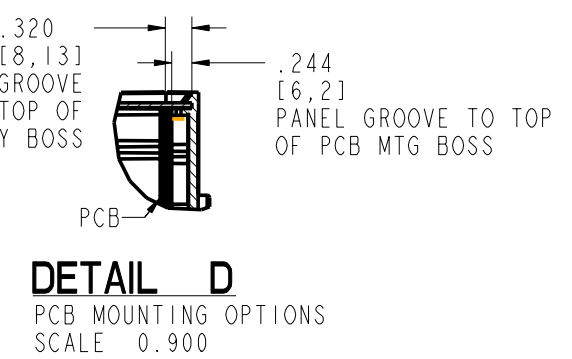
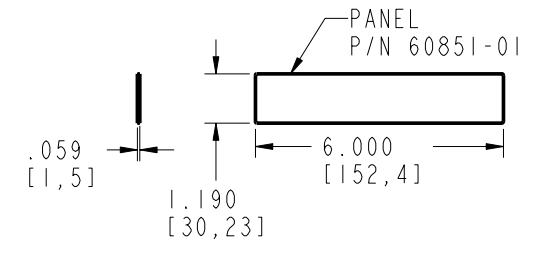
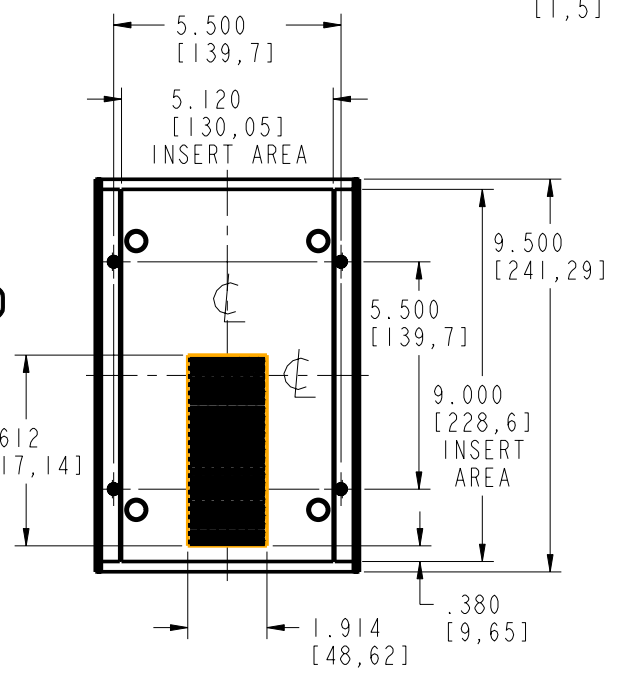
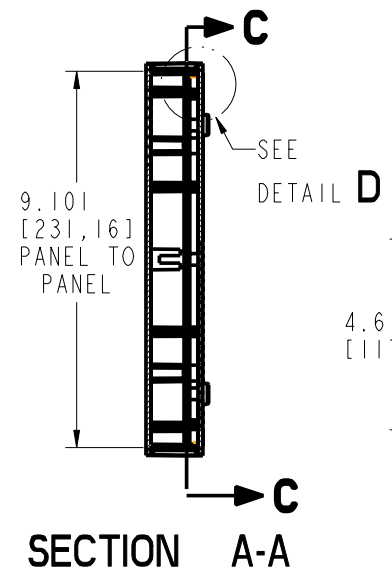
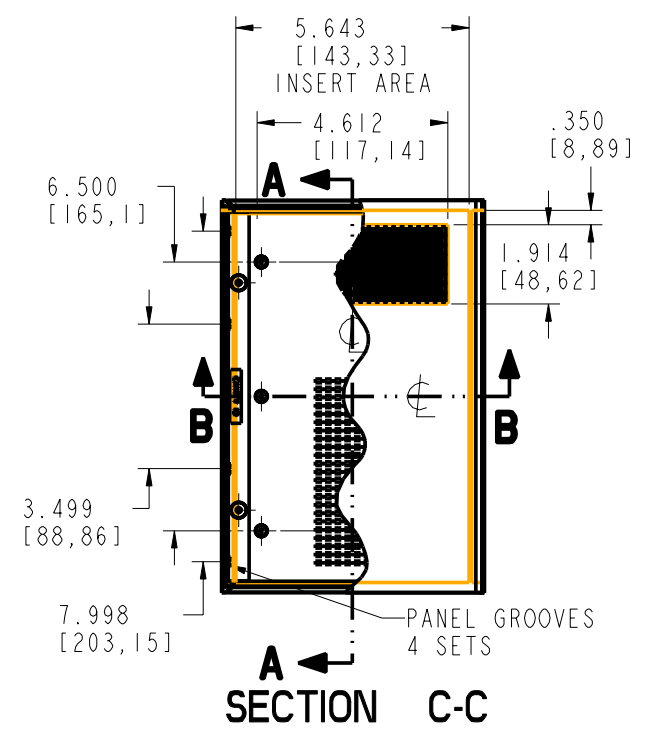
CMB69-120



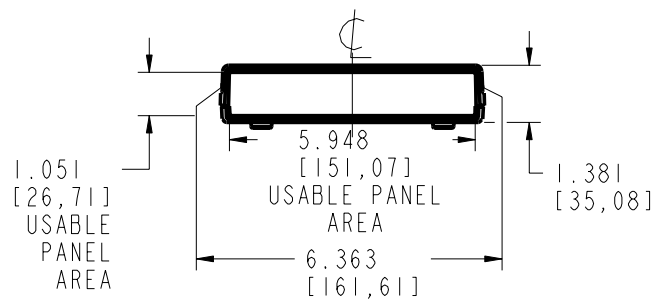
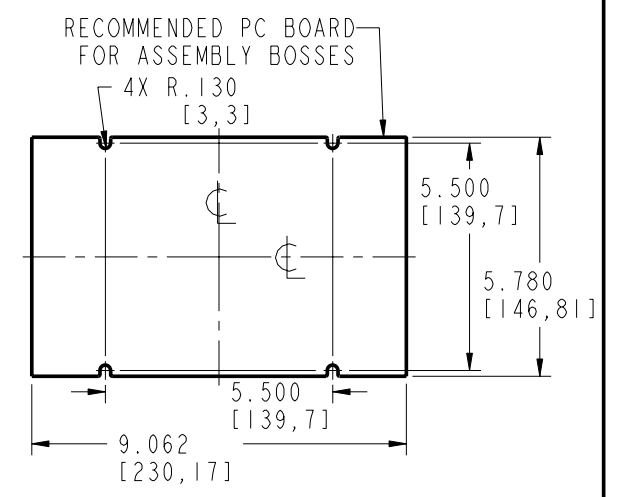
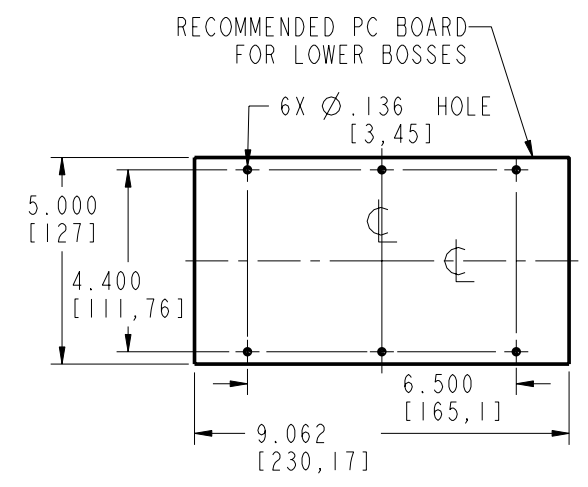
CMV69-120



CMBV69-120



DETAIL D
PCB MOUNTING OPTIONS
SCALE 0.900



PACINTEC®
1-610-361-4200

**CM69-120, CMB69-120,
CMV69-120, CMBV69-120**

VISIT **PACINTEC®**
ON THE WORLD WIDE WEB
www.pactecenclosures.com

COLOR / MATERIAL CODE		
COLOR	94HB	94VO
BLACK	000	028
P.C.BONE	039	060

DRAWING NUMBER	REV
60905	F