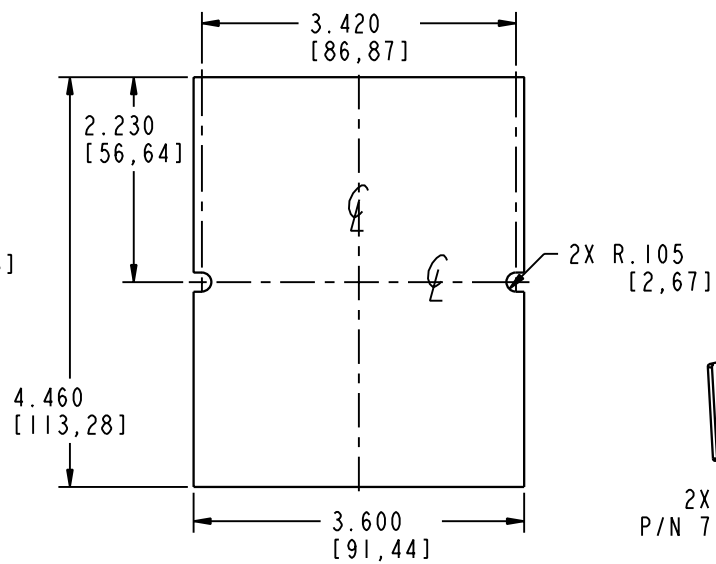
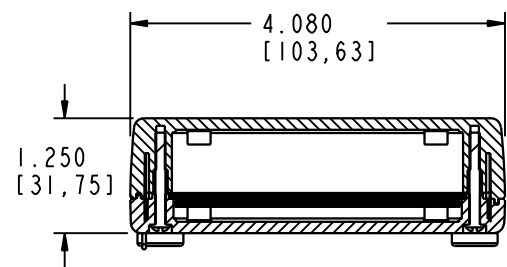
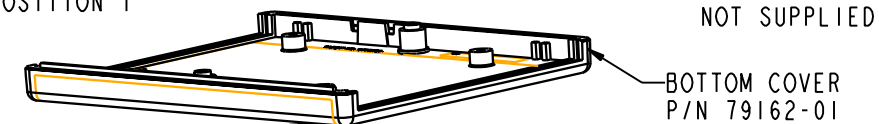
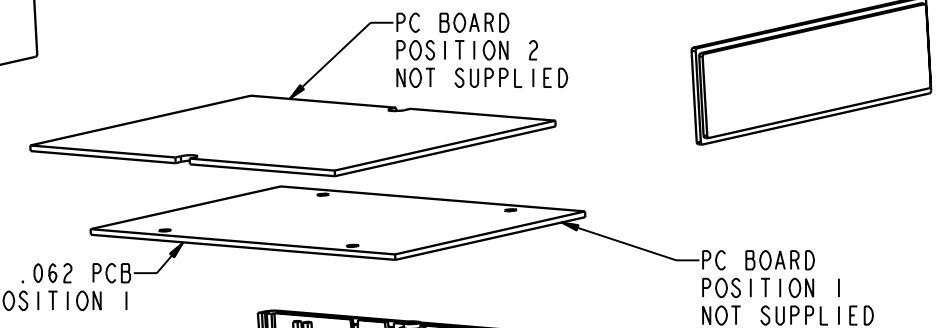
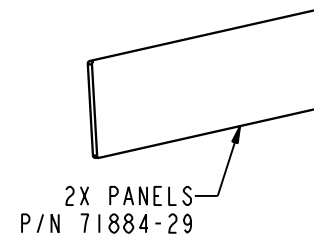
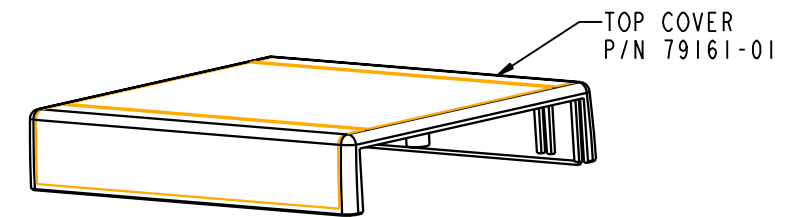


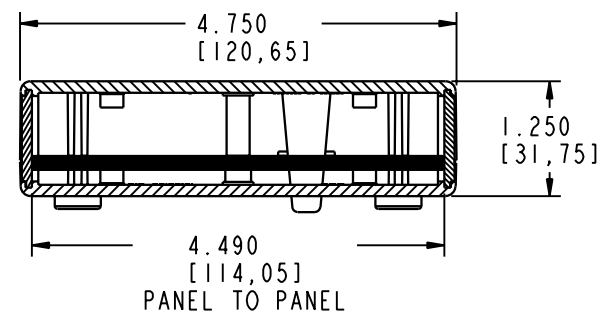
RECOMMENDED .062 PCB SIZE FOR POSITION 1



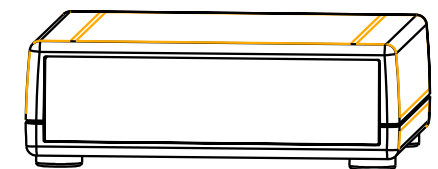
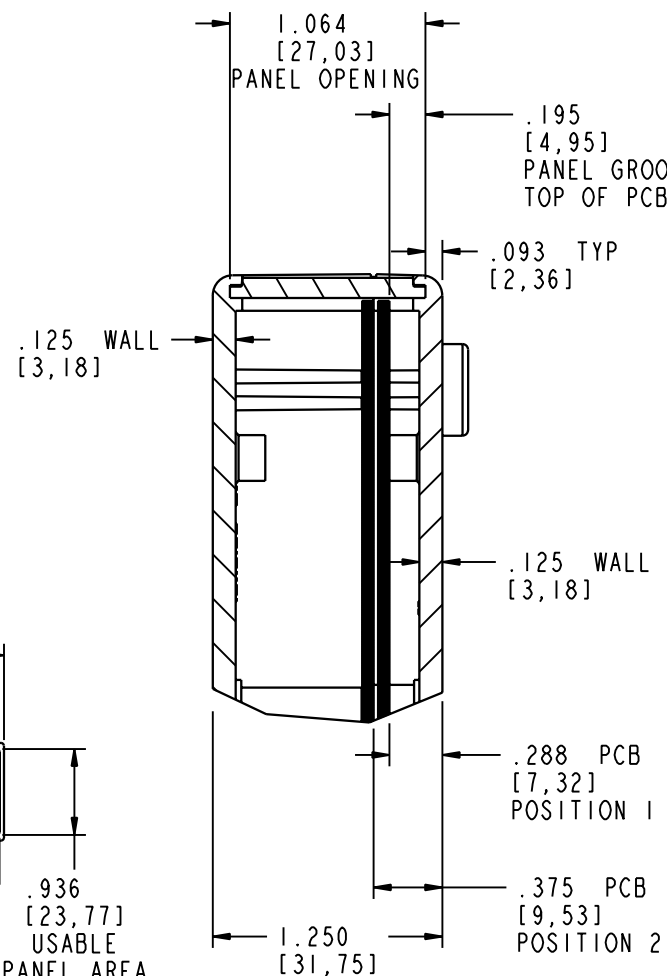
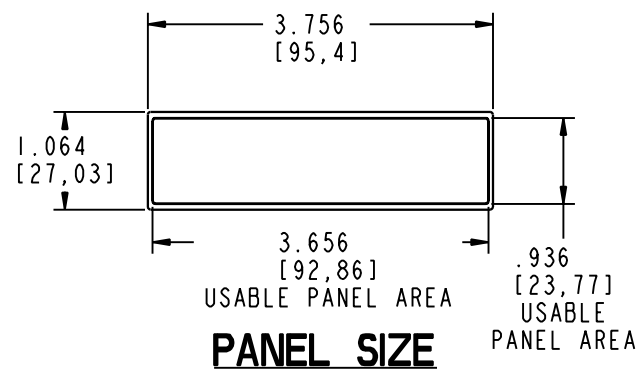
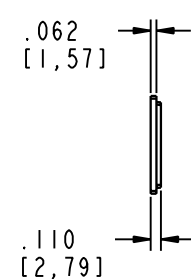
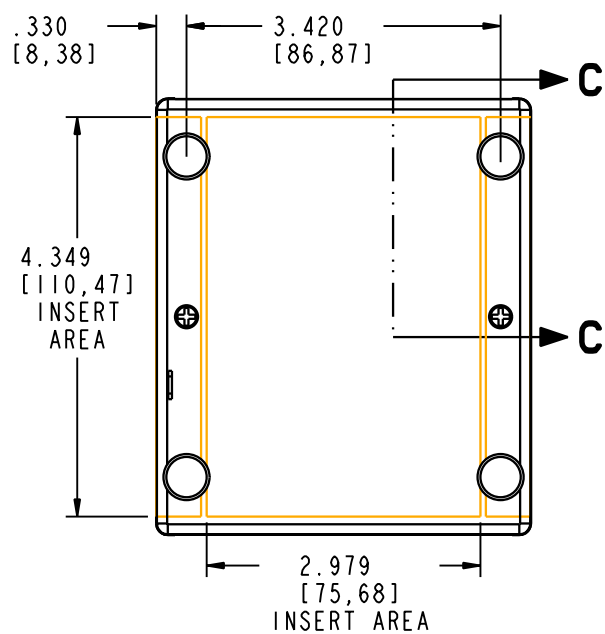
RECOMMENDED .062 PCB SIZE FOR POSITION 2



SECTION A-A



SECTION B-B



PACNTEC[®]
1-610-361-4231

LH45-100

VISIT **PACNTEC**[®]
ON THE WORLD WIDE WEB
www.pactecenclosures.com

COLOR / MATERIAL CODE		
COLOR	94HB	94VO
BLACK	000	028
P. C. BONE	039	060

DRAWING NUMBER	REV
79159	C