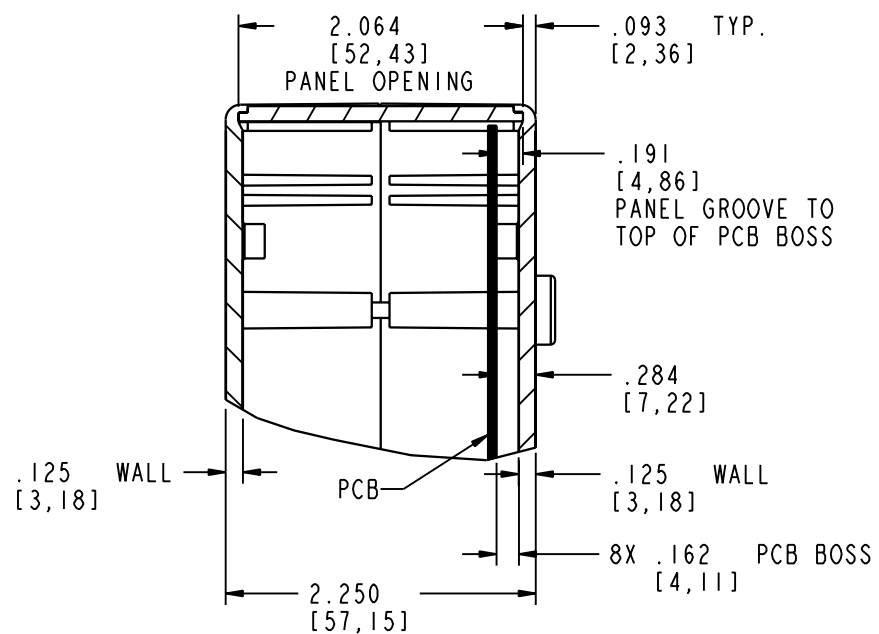
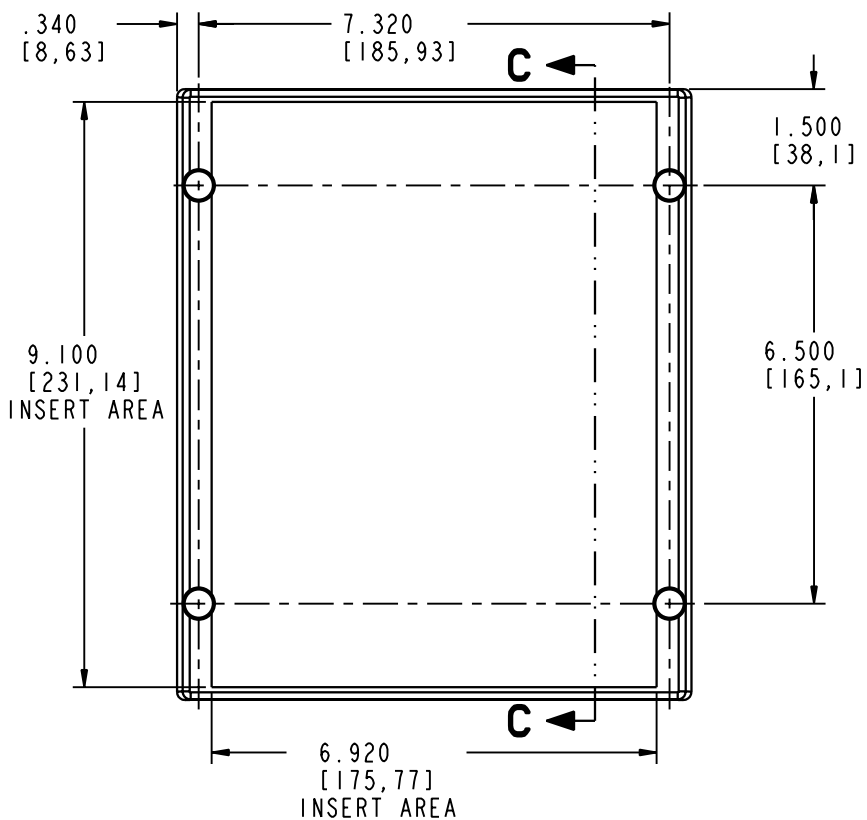
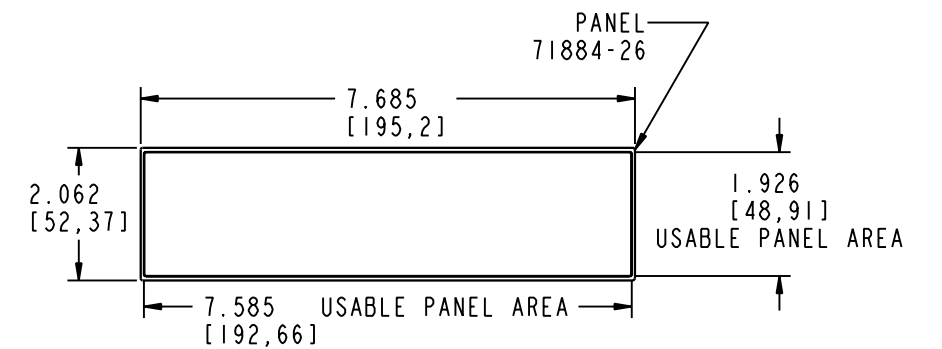
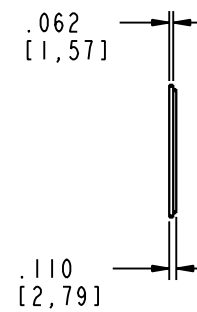


SECTION A-A

SECTION B-B



SECTION C-C



PACNTEC[®]
1-610-361-4231

LH89-200

VISIT **PACNTEC**[®]
ON THE WORLD WIDE WEB
www.pactecenclosures.com

COLOR / MATERIAL CODE		
COLOR	94HB	94VO
BLACK	000	028
P. C. BONE	039	060

DRAWING NUMBER	REV
77252	D