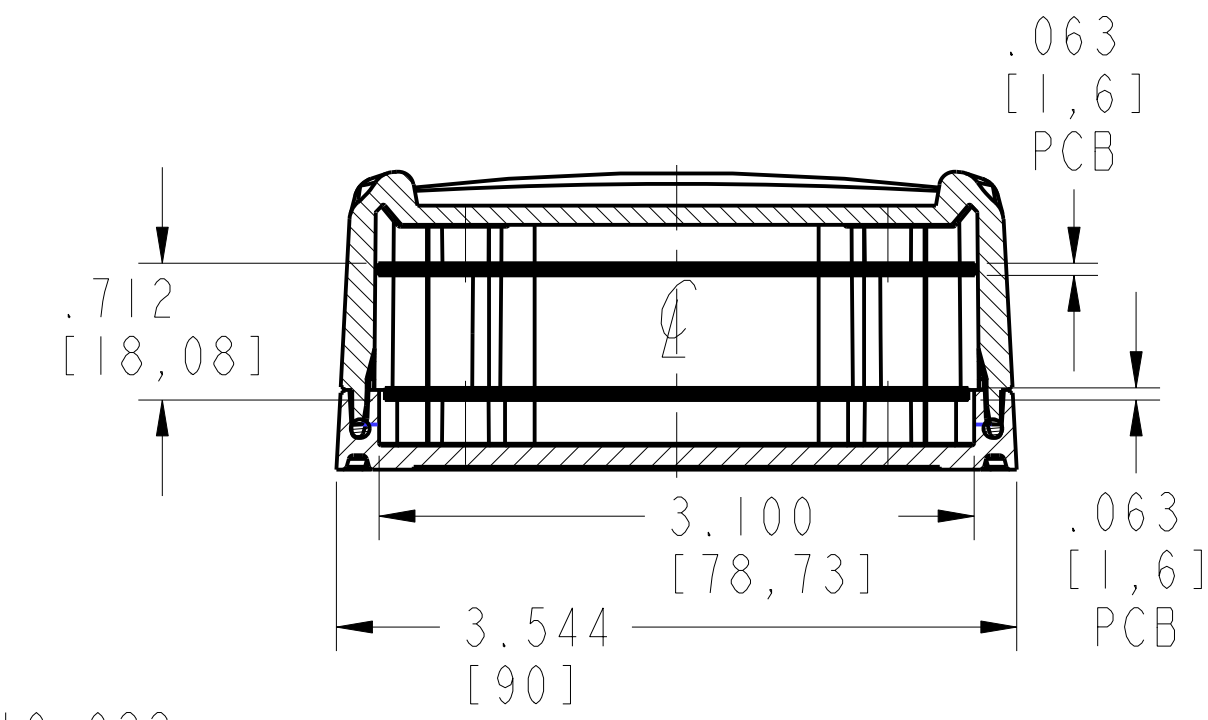
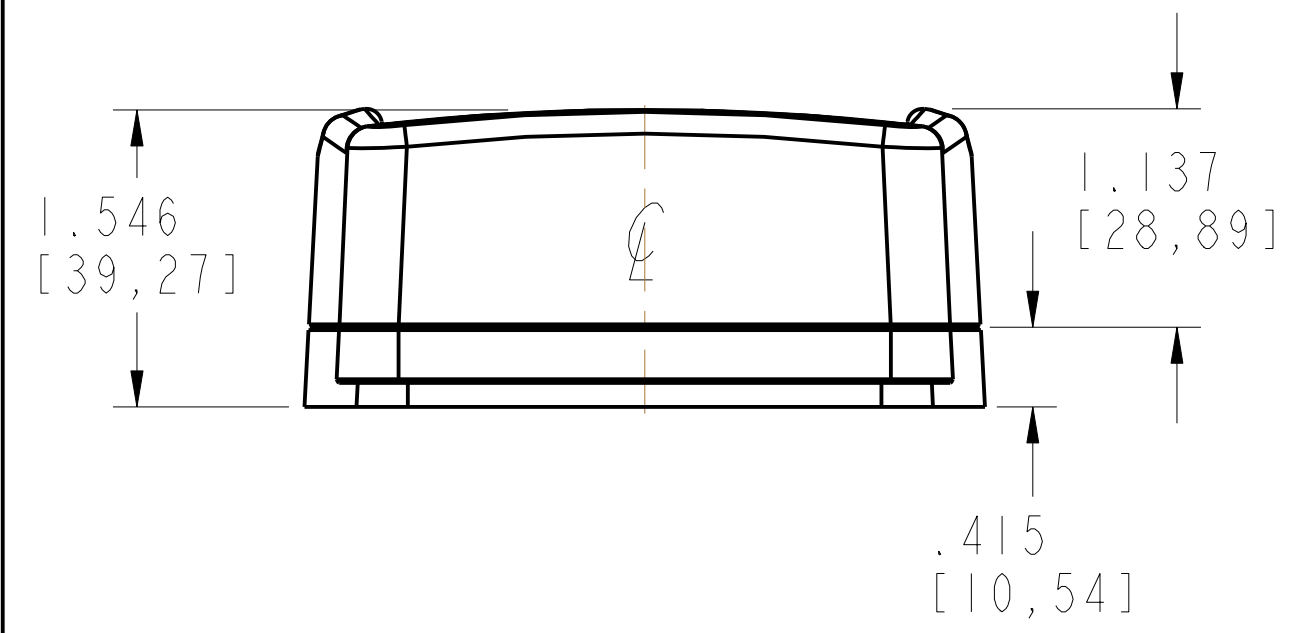
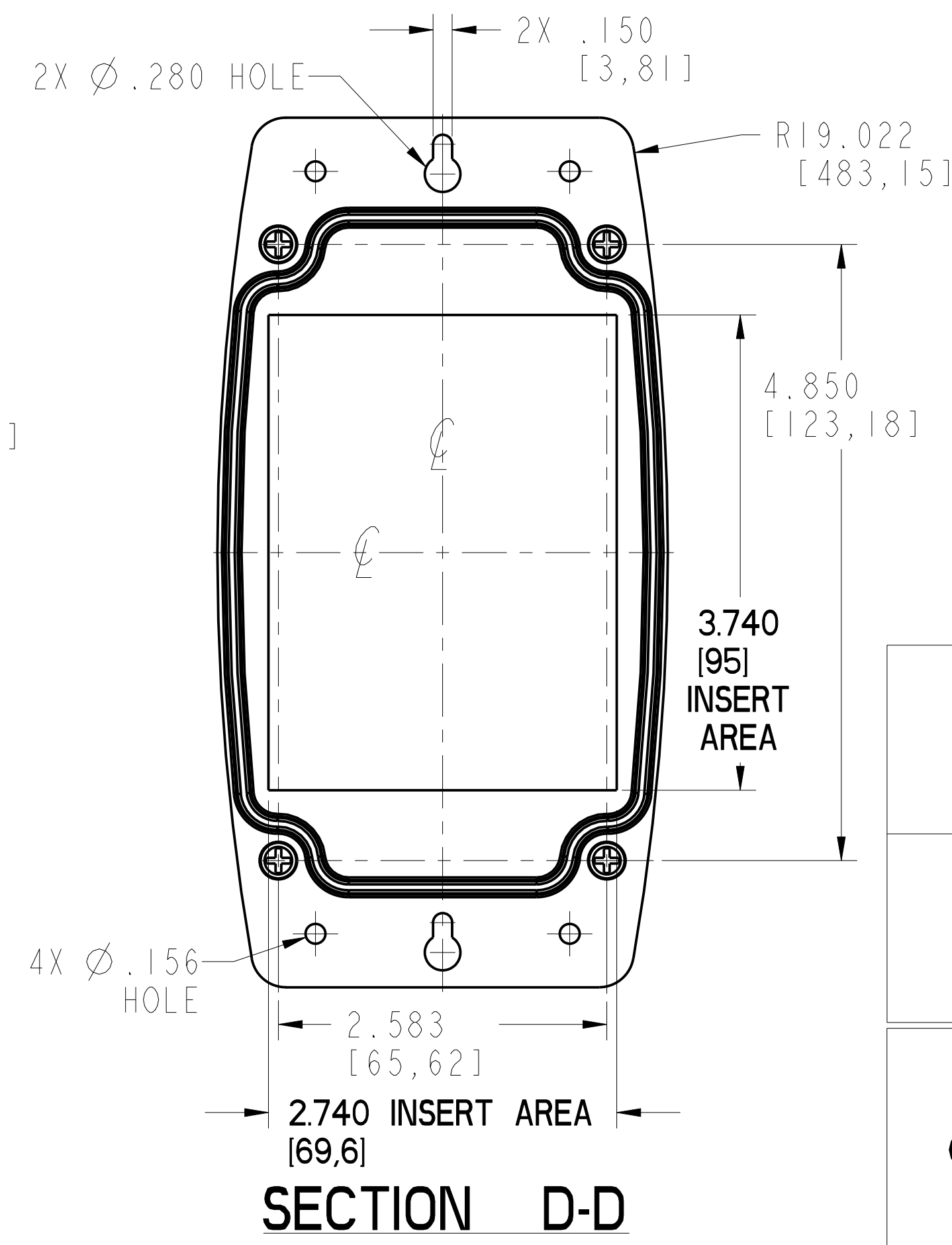
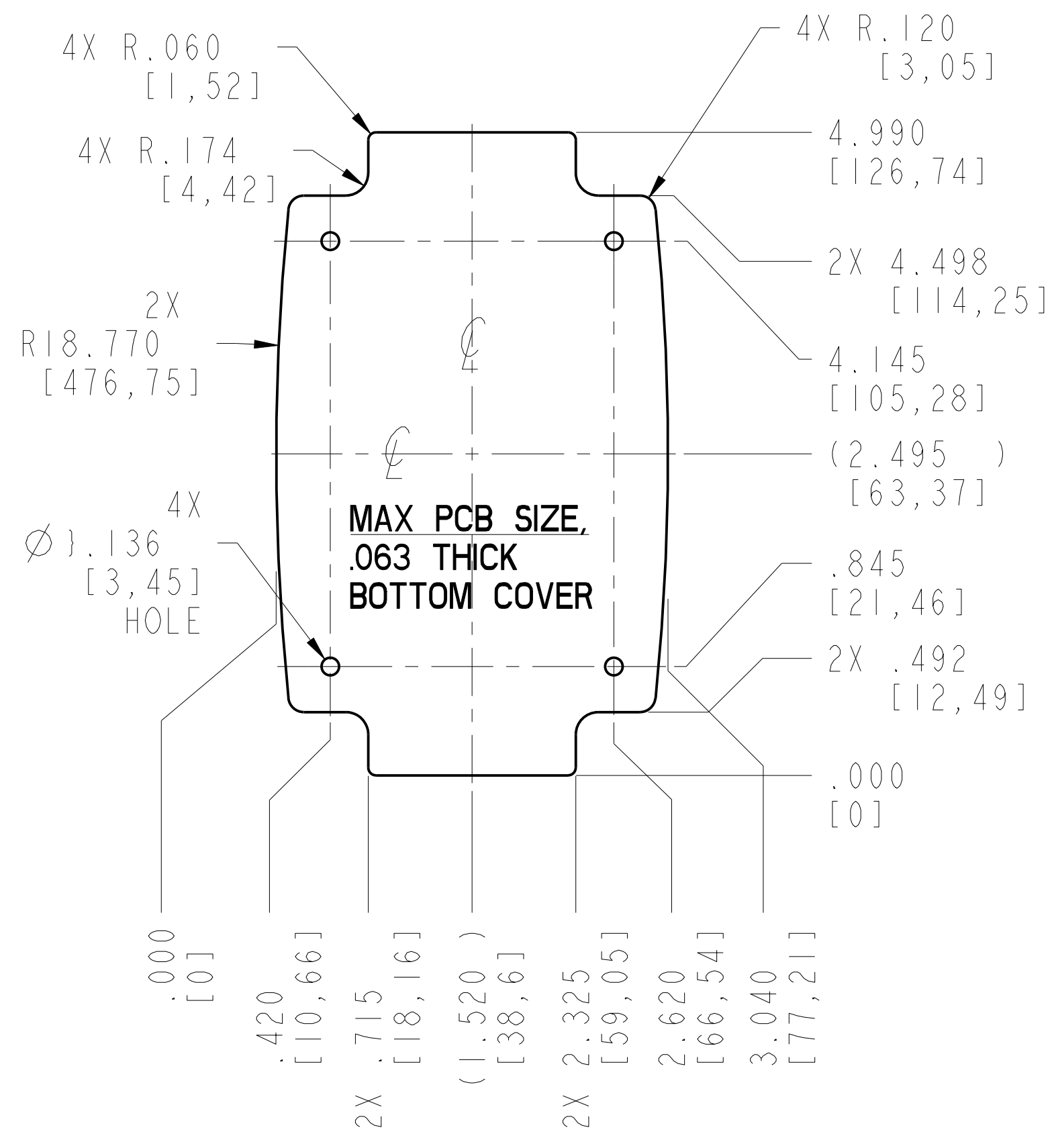
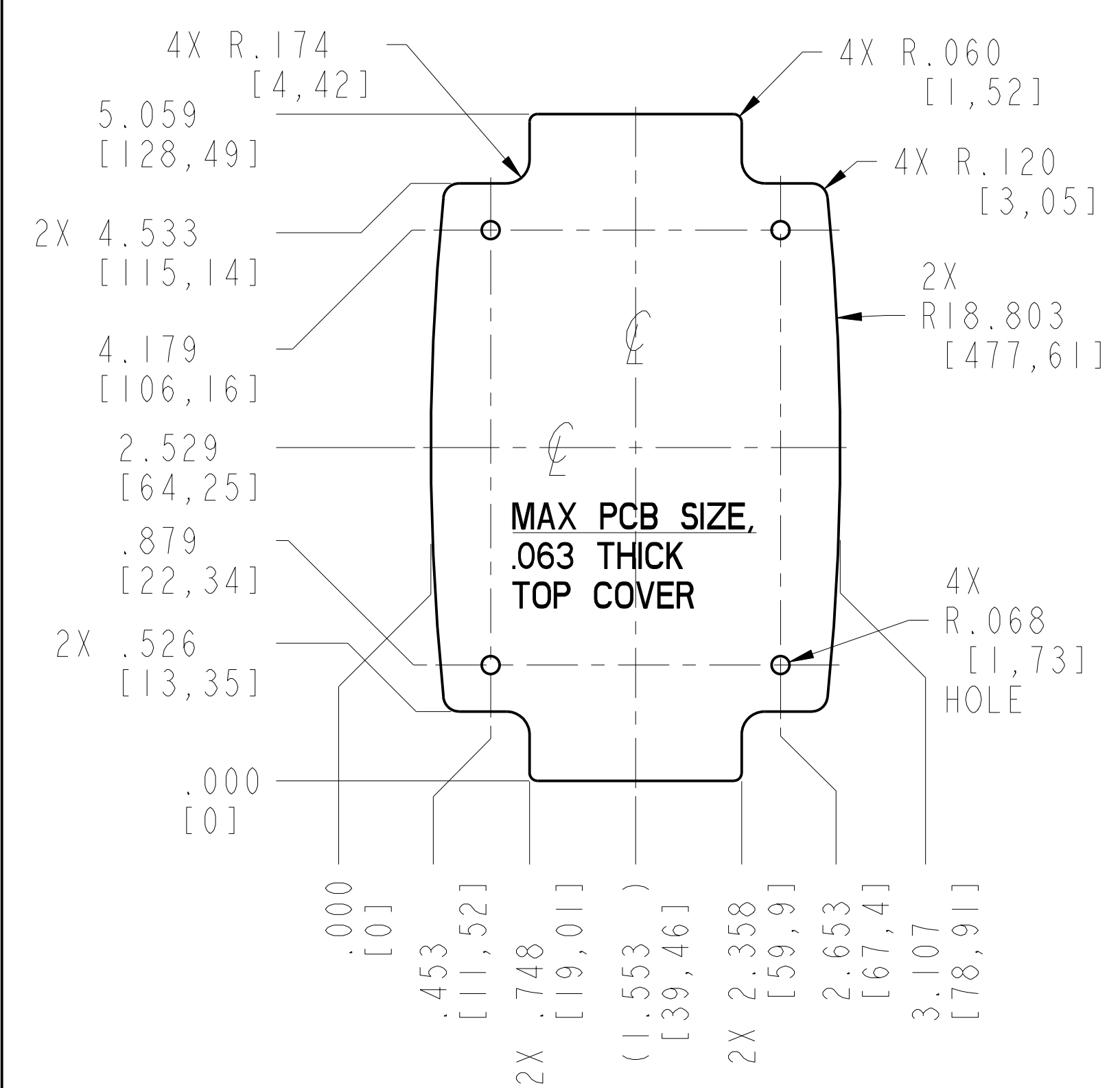


SECTION C-C

SECTION B-B



SECTION A-A



SECTION D-D

NOTES:

1. USE #4 TYPE "B" THREAD FORMING SCREWS X .25 [6,3] LONG TO MOUNT CIRCUIT CARD ASSEMBLY.
2. RECOMMENED ASSEMBLY SCREW TORQUE SETTING IS 5 INCH-POUNDS.
3. TO MAINTAIN IP67 RATING USE THE GASKET ONCE; IF OPENING UNIT TO SERVICE MUST REPLACE GASKET.

PACINTEC[®]
1-610-361-4231

OD45

VISIT **PACINTEC**[®]
ON THE WORLD WIDE WEB
www.pactecenclosures.com

MATERIAL:
POLYCARBONATE (HB)
WITH UV STABILIZER

COLOR:
LIGHT GRAY #332

INSERT AREAS ARE SECTIONS IN OUR TOOLS THAT CAN BE REMOVED AND REPLACED WITH CUSTOMER SPECIFIC DETAILS