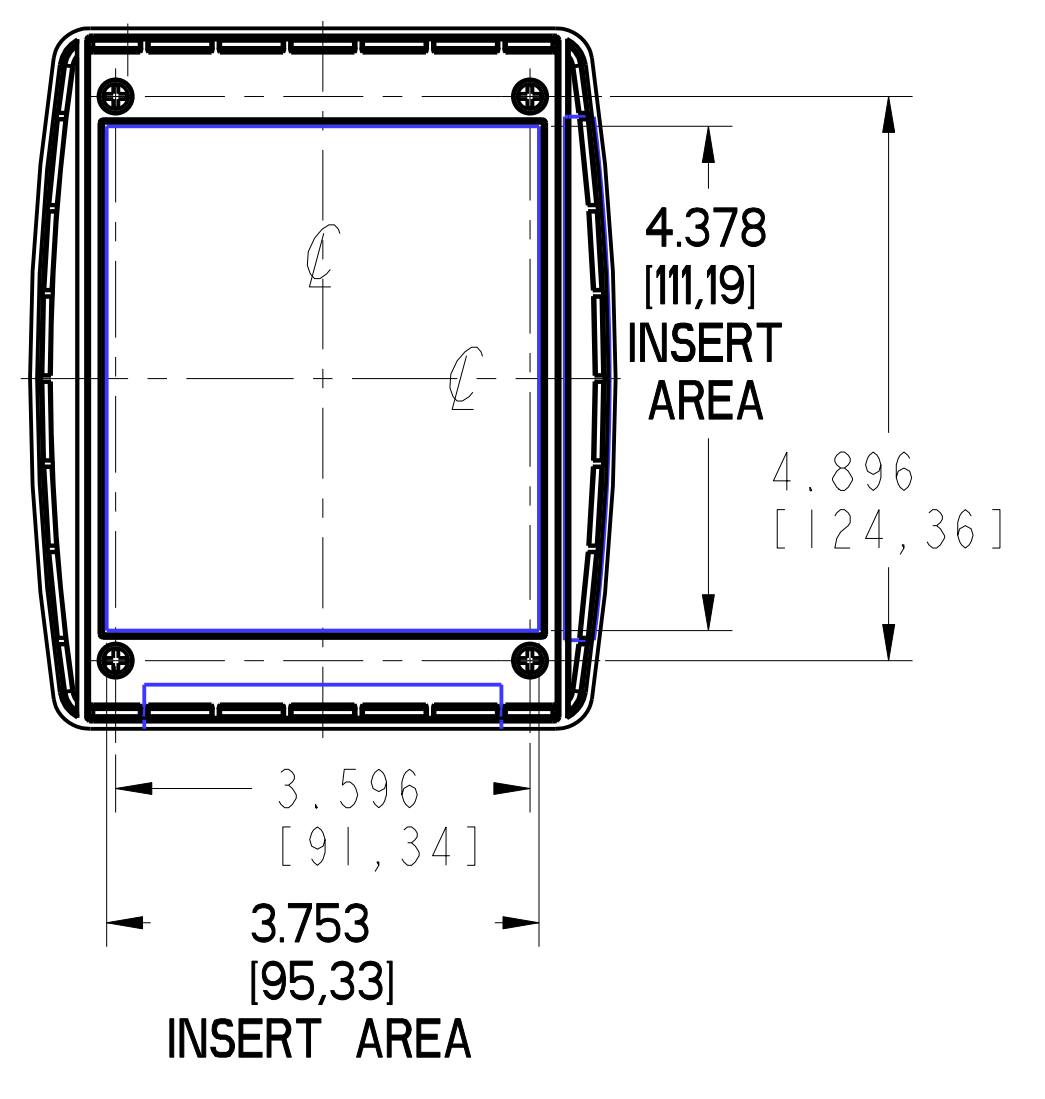


NOTES:

1. USE #4 TYPE "B" THREAD FORMING SCREWS X .25 [6.3] LONG TO MOUNT CIRCUIT CARD ASSEMBLY.
2. RECOMMENED ASSEMBLY SCREW TORQUE SETTING IS 5 INCH-POUNDS.
3. TO MAINTAIN IP67 RATING USE THE GASKET ONCE; IF OPENING UNIT TO SERVICE MUST REPLACE GASKET.
4. FOR CLEAR TOP CERTAIN MINIMUMS MAY APPLY.

SECTION D-D



MAX PCB SIZE, .063 THICK, TOP COVER

MAX PCB SIZE, .063 THICK, BOTTOM COVER

SCALE: .6

PACINTEC[®]
 1-610-361-4231
ODNF56-2.5
ODNFCT56-2.5

VISIT **PACINTEC**[®]
 ON THE WORLD WIDE WEB
www.pactecenclosures.com

MATERIAL:
 POLYCARBONATE (HB)
 WITH UV STABILIZER

COLOR:
 LIGHT GRAY #332

INSERT AREAS ARE SECTIONS IN OUR TOOLS THAT CAN BE REMOVED AND REPLACED WITH CUSTOMER SPECIFIC DETAILS

DRAWING NUMBER	REV
87788	B