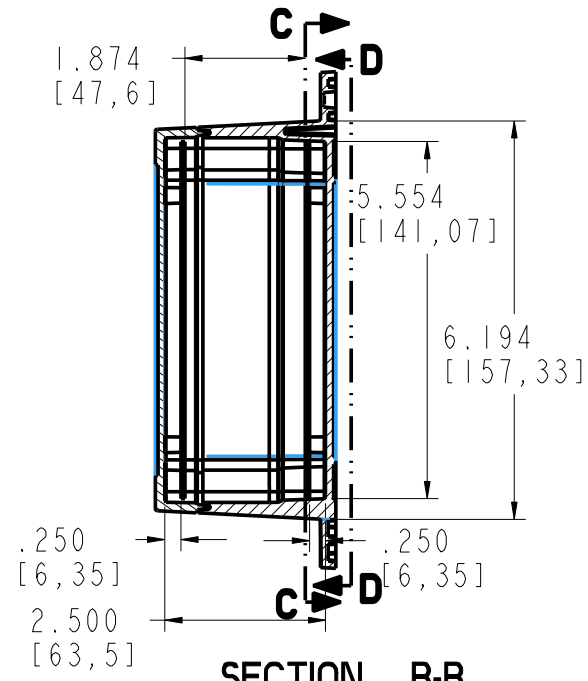
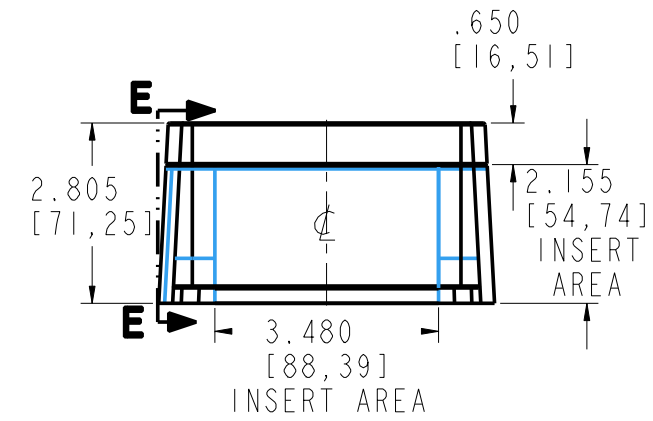
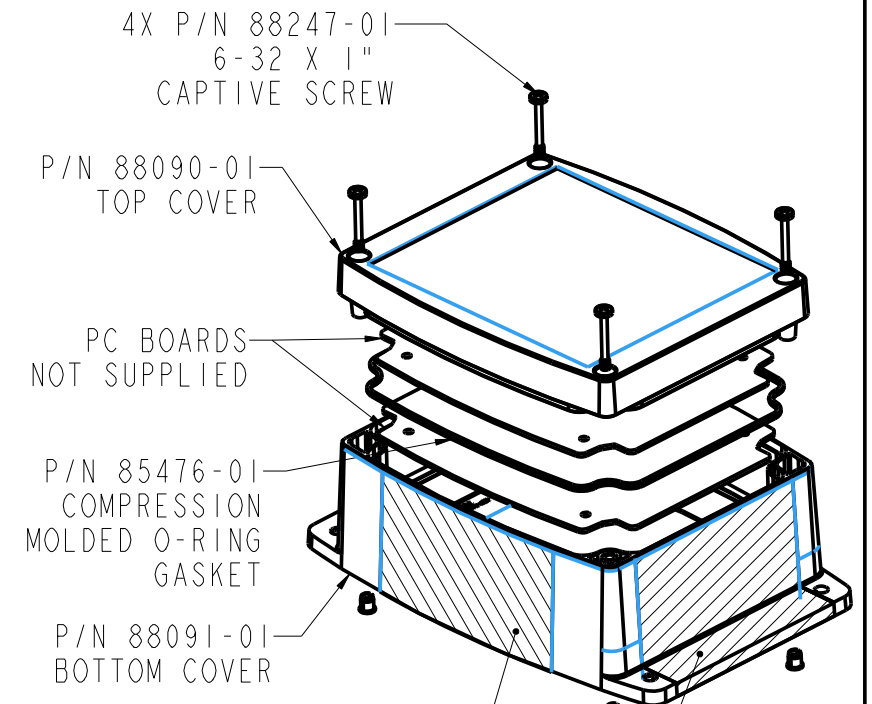


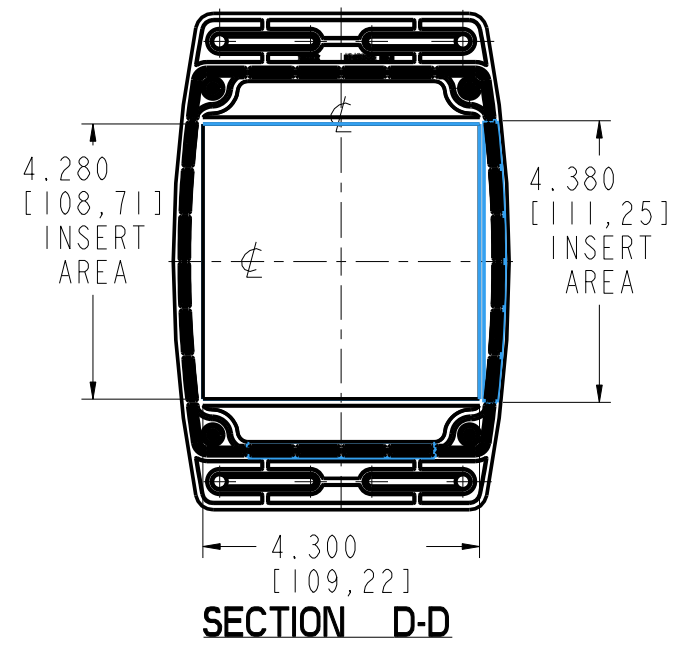
SECTION C-C



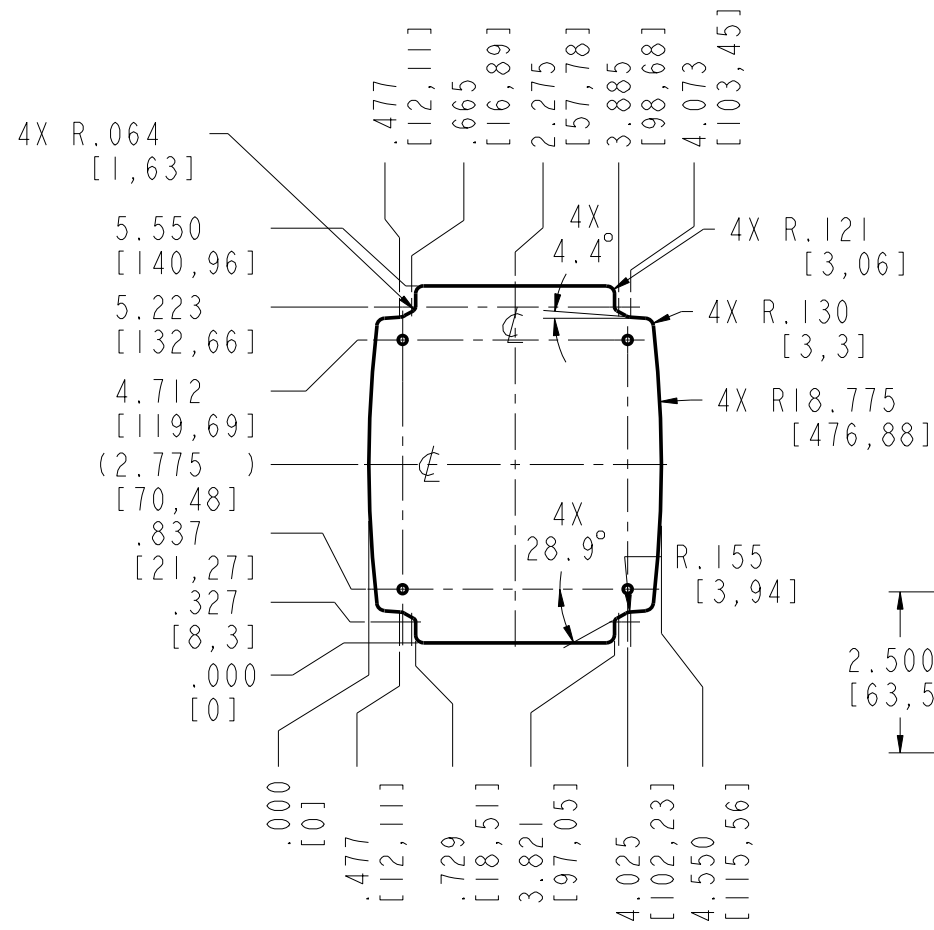
SECTION B-B



SECTION E-E

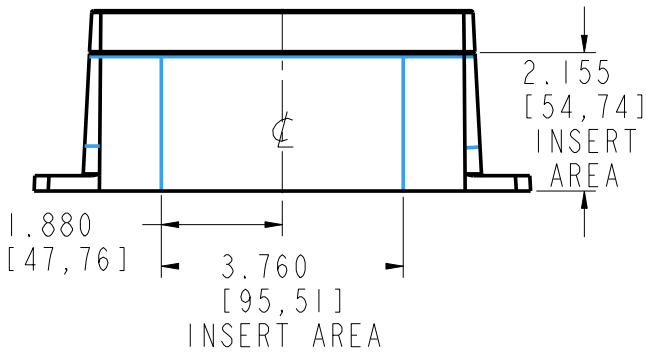


SECTION D-D

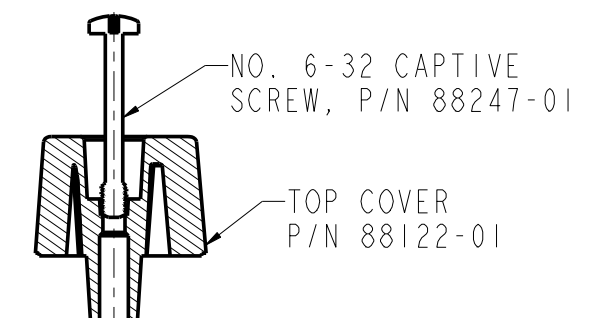


MAX PCB SIZE

.063 THICK
FITS TOP AND
BOTTOM COVERS



SECTION A-A



ASSEMBLY
INFORMATION VIEW
SCALE: 2/1

PACNTEC
1-610-361-4231

ODTM56-2.5

VISIT **PACNTEC**
ON THE WORLD WIDE WEB
www.pactecenclosures.com

NOTES:
1. USE #4 TYPE "B" THREAD FORMING SCREWS X .35 [6,3] LONG TO MOUNT CIRCUIT CARD ASSEMBLY.

COLOR / MATERIAL / CODE		
COLOR	94HB	94V-0
BLACK	000	028
PC BONE	039	060

INSERT AREAS ARE SECTIONS IN OUR TOOLS THAT CAN BE REMOVED AND REPLACED WITH CUSTOMER SPECIFIC DETAILS

DRAWING NUMBER	REV
88092	A

SCALE: .7